



Airport Access Solutions

A smooth passenger flow in all key touchpoints of the passenger's journey

cominfo

By **GUNNEBO** Entrance Control

Cominfo Airport Solutions

Facilitating and accelerating digital transformation towards smart airports

Recently, the airport industry has been experiencing unprecedented changes that put airport operators under the constant pressure to optimize their processes, curb security threats and cope with steady traffic growth while improving the passenger experience.

Cominfo leverages its efficient and streamlined access control solutions, which cover each of the passenger's touchpoints to help airports adapt to new challenges.



A seamless passenger experience

Engineered for a truly seamless travel experience, our product range provides fully automated solutions for all key touchpoints of the passenger journey. The automation of identity checks enables airport operators to increase operational capacity whilst allowing passengers to manage their travel arrangements. It also empowers the passenger and offers a pleasant airport experience.



Compliance with security standards

A communication interface allows for seamless integration into existing airline and airport environment, which guarantees accurate and immediate data transmission to access important passenger data. Our airport solutions comply with all the CUTE and CUPPS systems providers and AEA standards. Another benefit is comprehensive data reporting, which enables additional capabilities to optimize airport operations.



Ingenious technology integration

Cominfo's airport product range is designed with the specifics of all passenger touchpoints in mind. To further adapt to individual needs and security measures in each of the touchpoints, all common readers, scanners, biometric devices, and other third-party systems can be easily integrated. Also, our products can be optionally equipped with radiation detectors to detecting the presence of unauthorized or illicit radioactive material.



Maximum reliability

It is crucial for an airport to implement an access solution that will ensure maximum uptime and reliability under constant usage. With this in mind, we took every measure to offer durable and low-maintenance solutions.

Our products are equipped with an innovative Magnetic Direct Drive (MDD) motor that not only offers market-leading mean cycles before a failure (MCBF) value of 30 million, but also operates quietly and energy-efficiently.



Modularity and cost-efficiency

Due to the modular concept of our product range, airport operators can configure their desired solution in terms of deployment, passage width, and barrier height – to name a few. Furthermore, hardware design of select products is optimized to provide greater flexibility with regards to cost-efficiency.



Diagnostics

Advanced diagnostics software allows for you to monitor products remotely, thereby enabling a timely and effective incident response whilst mitigating possible operational downtimes.

A smooth passenger flow in all key touchpoints of the passenger's journey

Our airport solutions cover all key touchpoints of the passenger's journey, adapting to specific requirements and individual security measures of each location within the airport.



Pre-Security Control

With automated boarding pass control, passenger waiting time is greatly reduced, leaving them more time to spend inside the terminal and generating additional revenue for airport operators. In addition to increasing passenger throughput, our solution supports airport staff for better customer service.



Business Lounge Access

The premium range of speed gates offers quick and convenient access authorization for the most valued passengers. The automated identification of credentials increases throughput and prevents inconvenient waiting times. It also relieves staff, who can focus on providing first-class service and premium assistance.



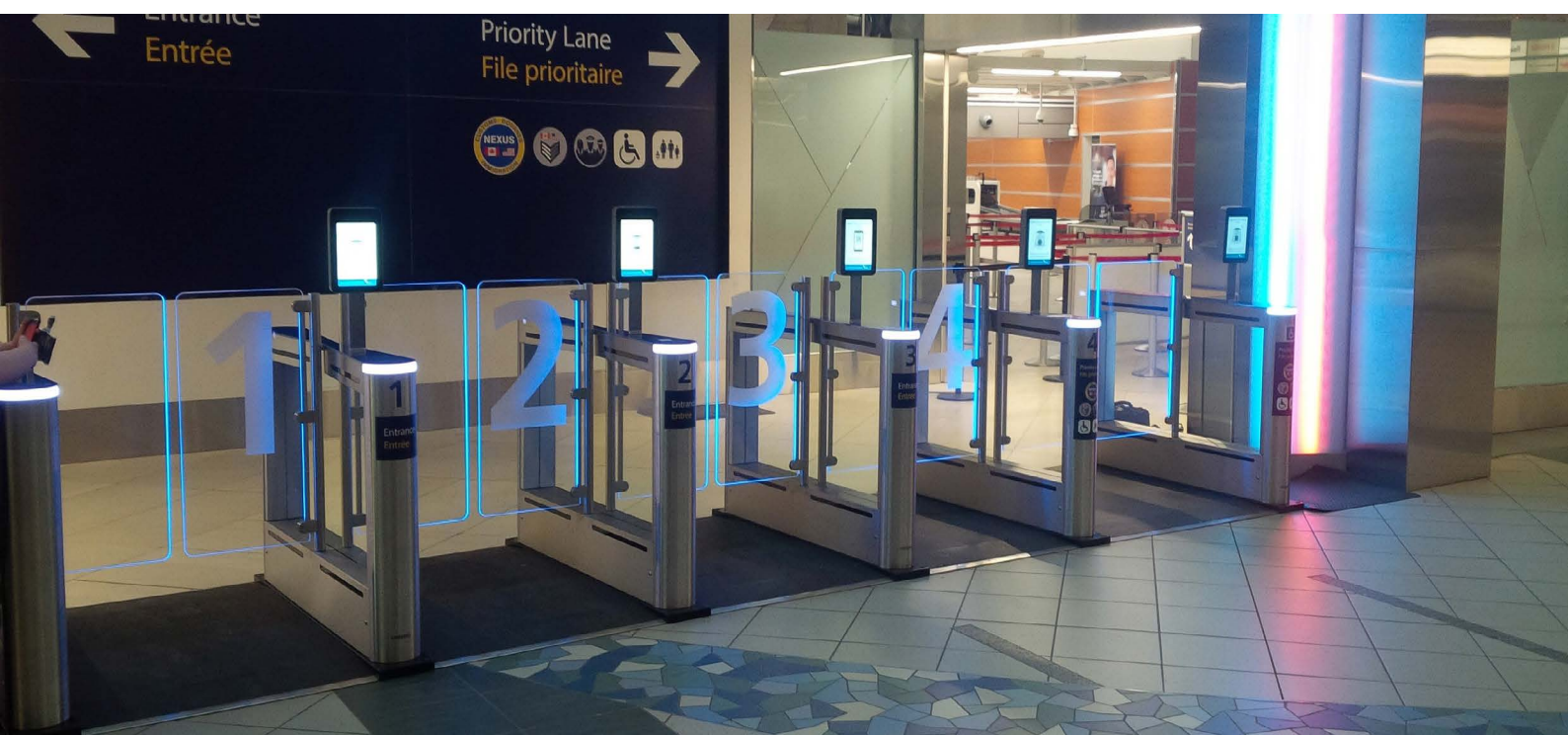
Self-Boarding Verification

Automated self-boarding speed gates accelerates the whole boarding procedure, supporting ground personnel who can thus concentrate on individual passenger needs. It also minimizes costly airline downtime and provides more comfort for passengers.



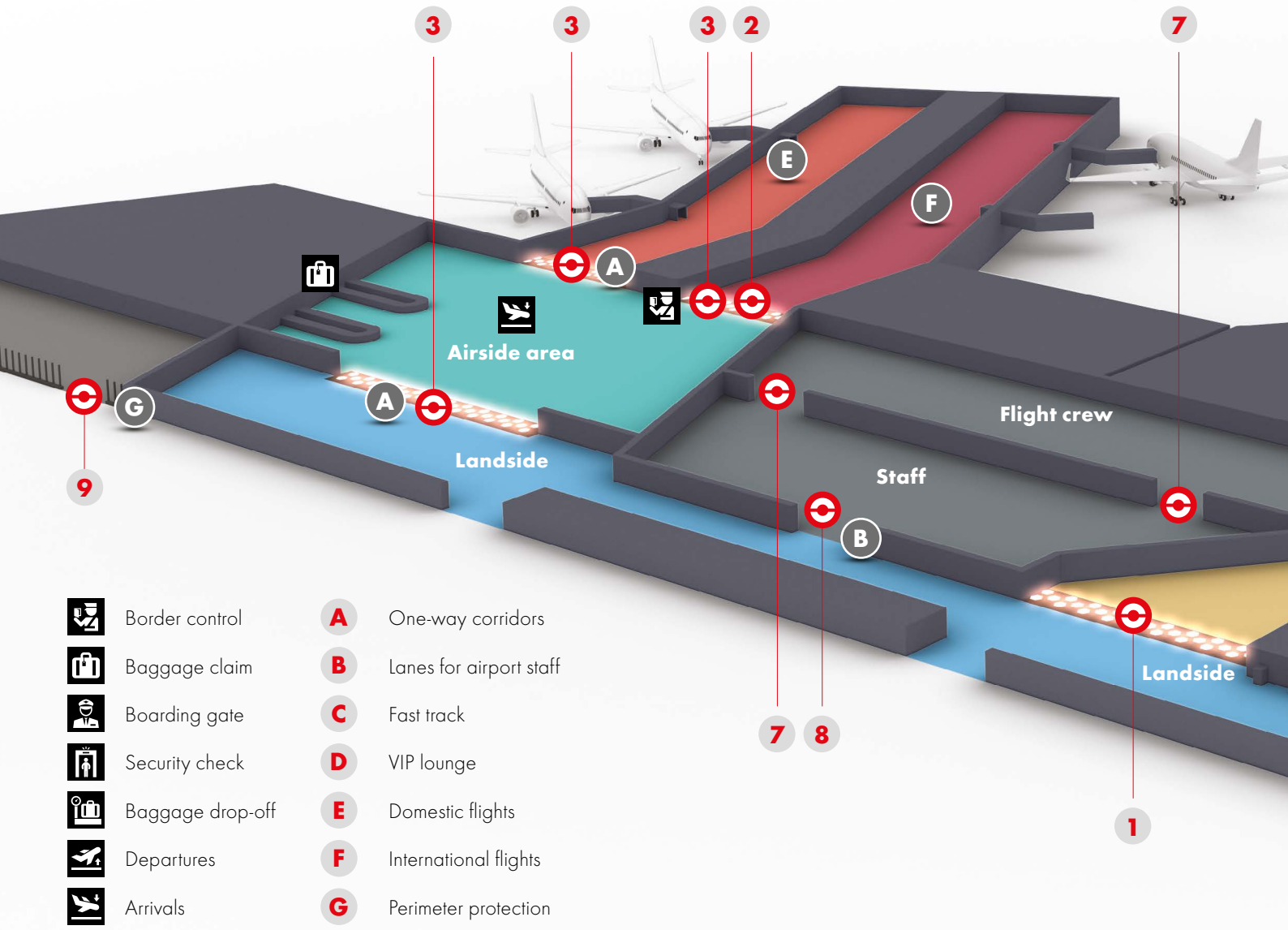
Automated Border Control (ABC)

Cominfo AirGate e-Gate is specifically designed for automated border control management. It leverages the latest sensor technology and optimized algorithms to accelerate the immigration process, all whilst reducing the workload of border officials. To further improve the border crossing time and passenger convenience, AirGate e-Gate has been carefully designed to be intuitive and user-friendly.



Comprehensive Airport Solutions

Cominfo provides solutions that optimize the airport experience and maximize safety and security measures for everyone involved. Be it a passenger, airport staff, flight crew, or anyone else.





AirGate SPT



AirGate e-Gate



Pegas



EasyGate
Sliding speed gates



EasyGate
Premium Range



AirGate SBG



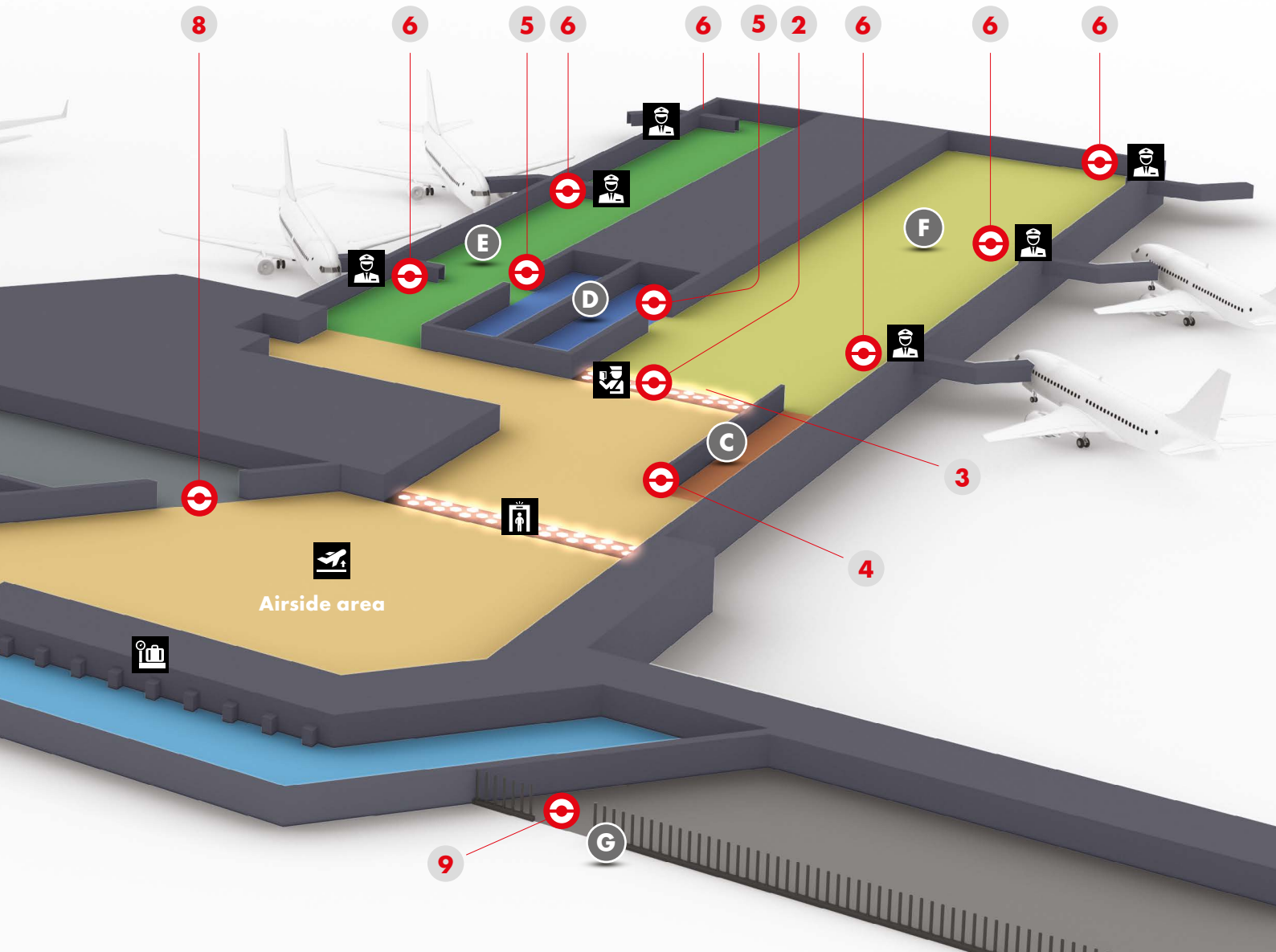
EasyGate
Standard Range



Rexon Glass



Rexon



Pre-Security Control

AirGate SPT

Maximum safety and security
and faster passenger flow

Faced with solid and continuous passenger growth in the aviation sector, optimization of airport operations whilst enhancing passenger comfort presents itself as a major challenge. The AirGate SPT is engineered with these challenges in mind as it leverages leading sensor technology and zero-maintenance motor to streamline passenger flow safely and securely.

BENEFITS

- Accurate identification of passenger credentials prevents misuse of boarding passes
- Increased passenger throughput reduces possible congestion and queues
- A durable and zero-maintenance solution with a reliable (30 million MCBF) motor
- An ergonomic product design and intuitive user guidance help streamline passenger flow
- Automated access control through the security checkpoint relieves the strain on security staff and reduces labor costs
- Compatibility with all conventional biometric recognition and access control systems
- Compliance with the CUTE and CUPPS systems

Automated boarding pass control offers considerable improvement in passenger processing as it allows passengers to pass through the swing door swiftly and only one person at a time.

Combined with a biometric recognition system, the AirGate SPT provides even more convenient access authorisation, whilst further improving overall security.



Business Lounge Access

EasyGate Premium Range

The convergence of convenient, secure access and an outstanding design

Contemporary business lounges are feeling increasingly more exclusive as they strive to elevate the overall passenger experience. However, each of them is characteristic for a different aesthetic and, therefore, a different vibe.

Classic stainless-steel turnstiles would have looked inappropriate in these settings. Cominfo, with its premium range of speed gates offers products that seamlessly blend in with the unique surroundings of lounges and help punctuate the overall expression of the space.

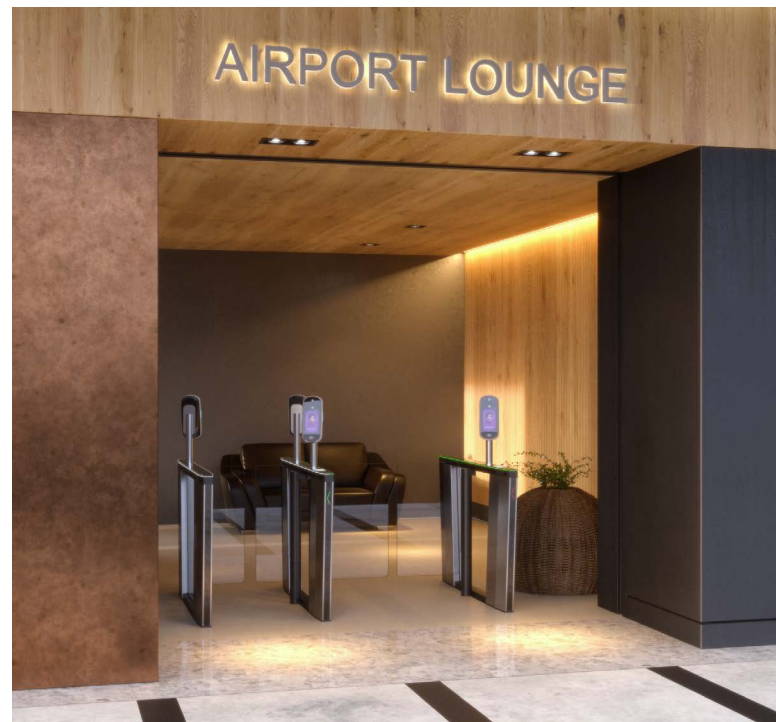
In addition to the purely aesthetic requirements, speed gates control access to business lounges quickly, conveniently, and above all, securely.

BENEFITS

- The contemporary and premium design of the speed gates helps accentuate the unique character of the business lounge
- A high degree of potential speed gate customization
- An elegant solution for quick identification of passenger access authority
- An ergonomic product design and intuitive user guidance help to ensure smooth passenger flow
- Compatibility with all conventional biometric recognition systems
- Automated verification of credentials helps take the pressure off security personnel
- Compliance with the CUTE and CUPPS systems

The whole verification procedure is automated and contactless, which reduces the staff workload and gives them time to focus on their visitors.

Combined with biometric recognition systems, the solution provides even more convenient access authorization for passengers.



EasyGate Superb



EasyGate LC



EasyGate IM

CUSTOM-TAILORED SOLUTIONS

Whether it is a simple color match, a special finish and material, or a truly bespoke design, we provide the perfect solution to suit your project.

Self-boarding Verification

AirGate SBG

Acceleration of the boarding process
and increased passenger comfort

The Cominfo AirGate SBG allows passengers to board an airplane swiftly and in a safe and secure manner. Automated self-boarding verification relieves security staff of routine tasks so they can concentrate on passengers who need special assistance and support. It also helps to detect any invalid or counterfeit documents.

The optionally integrated biometric identification system further enhances the security level directly inside the gate. Through comparison of facial image data against the enrolled biometric data, the system guarantees that only eligible passengers can embark on their respective flights. Furthermore, third-party devices such as thermal imaging infrared cameras, barcode scanners, and other media can be integrated as required.

To provide a seamless, self-boarding experience, the AirGate SBG has been carefully designed to be intuitive and user-friendly. With its sleek and elegant design, it fits in perfectly with various airport architectural environments.

AIRGATE SBG ECO

The cost-efficient version of the AirGate SBG offers the same product parameters as a standard model. The speed gate cabinet is optimized to reflect various airport operator requirements.



BENEFITS

- Fast and secure identification of access authority through several mediums, including biometrics
- Acceleration of the passenger boarding process
- A durable and zero-maintenance solution with a reliable (30 million MCBF) motor
- An ergonomic product design and intuitive user guidance help ensure a smooth passenger flow
- Compatibility with all conventional biometric recognition systems
- Reduced workload for ground staff allows them to devote time for special requirements
- A space-saving and sleek cabinet construction
- A modular design allows for greater deployment flexibility
- Compliance with the CUTE and CUPPS systems



Automated Border Control

AirGate e-Gate

Rapid, secure border control management

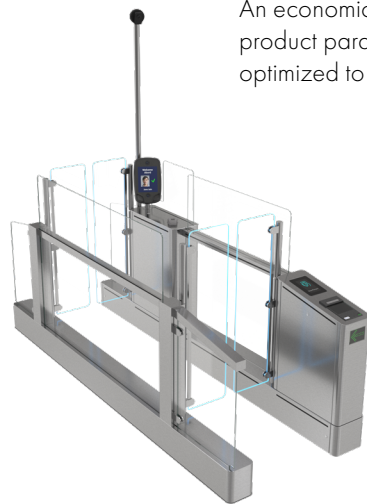
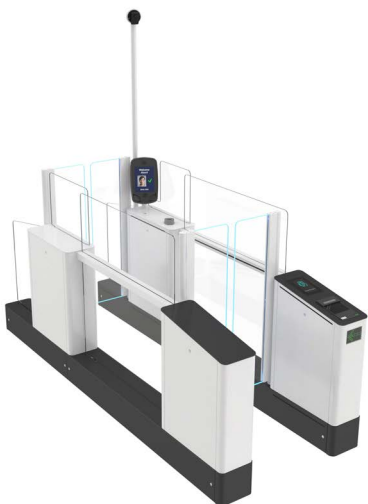
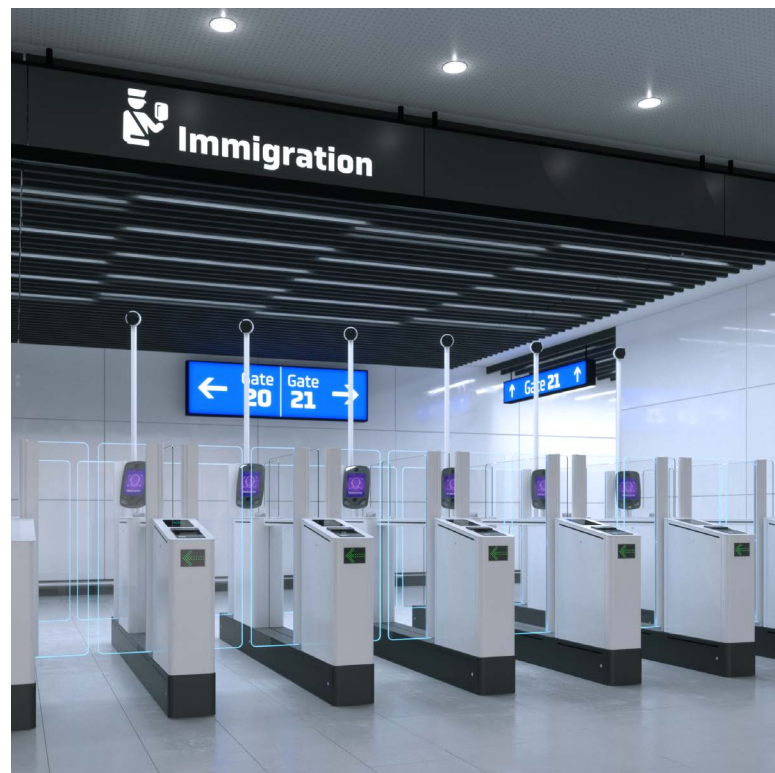
The AirGate e-Gate solution is designed to enable fast and smooth security control for arrivals and departures at the border without the need for security staff.

This advanced solution brings a convenient, self-processing security check using facial recognition and biometric identification, a smart card reader for ID cards, an ePassport reader and/or a fingerprint scanner.

This AirGate e-Gate also increases security at airport border control checkpoints and enables only authorized people access to secure areas. Moreover, this border control solution reduces the number of officers needed throughout the day.

BENEFITS

- A user-driven product design and intuitive operation offer maximum passenger comfort
- Fast processing times ensure high passenger throughput, without compromising on security
- Reduced workload for border officials
- A durable and zero-maintenance solution with a reliable (30 million MCBF) motor
- Compatibility with all conventional biometric recognition systems
- A modular design allows greater deployment flexibility



AIRGATE E-GATE ECO

An economic version of the AirGate e-Gate offers the same product parameters as a standard model. The turnstile cabinet is optimized to reflect varying requirements of airport operators.

Pre-Security Control

AirGate SPT

Type

Swing technology
2 wings
G model – round front
R model – square front

Safety & Security Detection

36 pairs of IR sensors
Safety & Security levels
Tailgating / Crossover detection
Full compliance with AEA standards
Certified for CUTE and CUPPS systems

Operating Environment

Indoor

Drive Mechanism

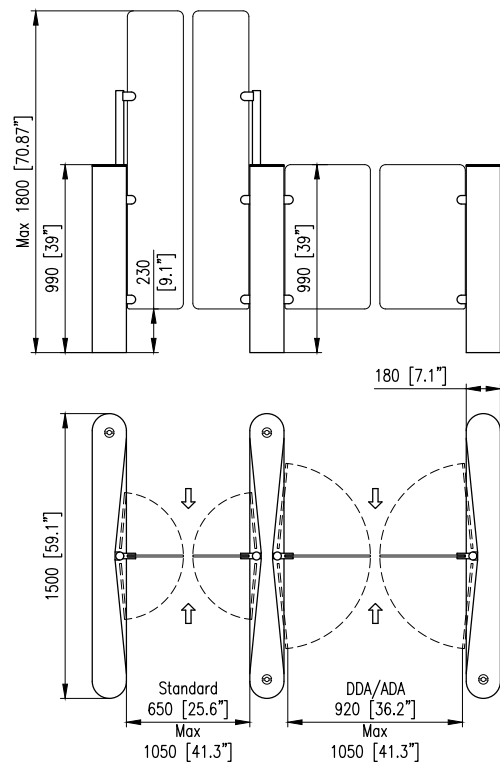
MDD motor drive with an external tooth brake
MCBF: 30 million

Emergency Mode

Opens automatically in the exit direction
Optional pushthrough feature

Optional Accessories

Boarding pass reader, Passport reader
Biometric device, Thermal infrared camera
RFID reader
Access light / Lane light / Edge light / Wing light / Passage light
WAV player
Hinge capping
Pressure sensing top
RF remote control
EasyTouch / TouchPanel / T-MON SW
SuperCap (emergency power back-up)
Alternative surface finishes / Optional top finishes
Emergency push button
Integration of LiftCall / Card collector / BarCode scanner
Ramp LT



Dimensions

Cabinet height	990 mm	38.98"
Cabinet length	1 500 mm	59.06"
Cabinet width	180 mm	7.09"
Barrier height standard	990 mm	38.98"
Barrier height max.	1 800 mm	70.87"
Passage width standard ^[1]	650 mm	25.59"
Passage width max. ^[1]	920 mm	36.22"

Material and Colours

Covers	brushed stainless steel
Top lid	black glass
Barriers	tempered glass barrier panels (10 mm / 0.39")
Side infill panel	tempered glass panels (6 mm / 0.24")

Special features*

Wide passage lane ^[2]	921–1 200 mm	36.26–47.24"
Extra wide passage lane ^[3]	1 201–1 400 mm	47.28–55.12"
Heavy duty wing		
Arc layout		
Staggered / diagonal layout		
Flag wing		

* Optional [1] For 2 wings type [2] Dual opening mode
[3] Cabinet length extended & Dual opening mode

Business Lounge Access

EasyGate Superb

Type

Swing technology
2 wings
Square front

Safety & Security Detection

24 pairs of IR sensors
Safety & Security levels
Tailgating / Crossover detection
Full compliance with AEA standards
Certified for CUTE and CUPPS systems

Operating Environment

Indoor

Drive Mechanism

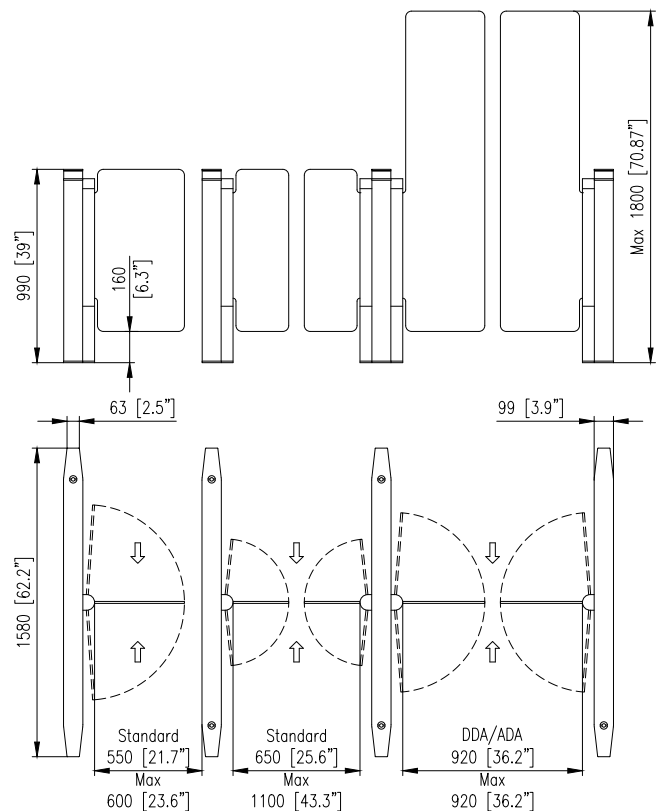
Fail-Safe
MCBF: 5 million

Emergency Mode

Opens automatically in the exit direction

Optional Accessories

Boarding pass reader
Biometric device, Thermal infrared camera
RFID reader
Access light, Lane light, Passage light
WAV player
Pressure sensing top
RF remote control
EasyTouch / TouchPanel / T-MON SW
SuperCap (emergency power back-up)
Alternative surface finishes / Optional top Finishes
Certified for CUTE and CUPPS systems
Emergency push button
Integration of LiftCall / Card collector / BarCode scanner
Ramp LT



Dimensions

Cabinet height	990 mm	38.98"
Cabinet length	1 580 mm	55.12"
Cabinet width	99 mm	5.95"
Barrier height standard	990 mm	38.98"
Barrier height max.	1 800 mm	70.87"
Passage width standard [1]	650 mm	25.59"
Passage width max. [1]	1 100 mm	43.31"

Material and Colors

Frame	black RAL
Covers	brushed stainless steel
Top Lid	black glass
Barriers	tempered glass barrier panels (10 mm / 0.39")
Side infill panel	tempered glass panels (6 mm/0.24")

Special features*

Wide passage lane [2]	921–1 200 mm	36.26–47.24"
Arc layout		
Flag wing		

* Optional [1] For 2 wings type [2] Dual opening mode

Self-boarding Verification

AirGate SBG

Type

Swing technology
2 wings
Square front

Safety & Security Detection

36 pairs of IR sensors
Safety & Security levels
Tailgating & close tailgating / Crossover detection
Full compliance with AEA standards
Certified for CUTE and CUPPS systems

Operating Environment

Indoor

Drive Mechanism

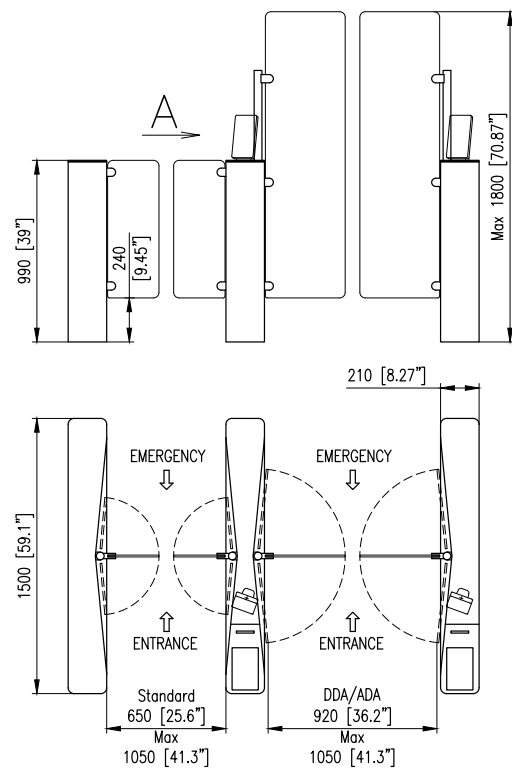
MDD motor drive with an external tooth brake
MCBF: 30 million

Emergency Mode

Opens automatically in the exit direction
Optional pushthrough feature

Optional Accessories

Boarding pass reader, Passport reader
Thermal printer
Biometric device, Thermal infrared camera
RFID reader
Lane light / Wing light / Passage light
WAV player
EasyTouch / TouchPanel / T-MON SW
SuperCap (emergency power back-up)
Emergency push button
Alternative surface finishes
Ramp LT



Dimensions

Cabinet height	990 mm	38.98"
Cabinet length	1 500 mm	59.06"
Cabinet width	210 mm	8.3"
Barrier height standard	990 mm	38.98"
Barrier height max.	1 800 mm	70.87"
Passage width standard ^[1]	650 mm	25.6"
Passage width max. ^[1]	920 mm	36.22"

Material and Colors

Covers	brushed stainless steel
Top Lid	black glass
Barriers	tempered glass barrier panels (10 mm / 0.39")
Side infill panel	tempered laminated glass panels (10 mm / 0.39")

Special features*

Wide passage lane ^[2]	921–1 200 mm	36.26–47.24"
Extra wide passage lane ^[3]	1 201–1 500 mm	47.28–59.05"
Heavy duty wing		
Arc layout		
Staggered / diagonal layout		

* Optional [1] For 2 wings type [2] Dual opening mode
[3] Cabinet length extended & Dual opening mode

Automated Border Control

AirGate e-Gate

Type

Swing technology
Interlock technology (4 wings glass barriers)
Custom integration of any 3rd party equipment
Square front

Safety & Security Detection

78 pairs of IR sensors per passage lane
Safety & Security levels
Tailgating & close tailgating / Crossover detection
Leftover luggage detection
Full compliance with AEA standards
Guidance displays on the entry side and in the mantrap

Operating Environment

Indoor

Drive Mechanism

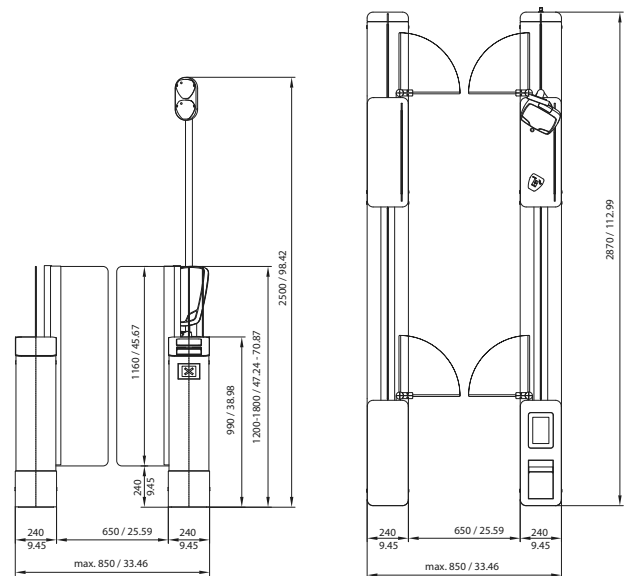
MDD motor drive with an external tooth brake
MCBF: 30 million

Emergency Mode

Opens automatically in the exit direction
Optional pushthrough feature

Optional integration of any 3rd party equipment

Smart card reader for ID card, Passport reader
Biometric device, Thermal infrared camera
RFID reader
BarCode scanner
Pole for CCTV camera
Lane light / Wing light
WAV player
Hinge capping
EasyTouch / TouchPanel / T-MON SW
SuperCap (emergency power back-up)
Emergency push button
Integration for industrial PC
Ramp LT



Dimensions

Cabinet height	990 mm	38.98"
Cabinet length	2 870 mm	112.99"
Cabinet width	240 mm	9.45"
Facial recognition totem height	1 950 mm	76.77"
Barrier height	1 200–1 800 mm	47.27–70.87"
Passage width standard	650 mm	25.59"
Passage width max.	1 050 mm	41.31"

Material and Colors

Covers	brushed stainless steel
Cabinet base	stainless steel black RAL
Barriers	tempered glass barrier panels (10 mm / 0.39")
Side infill panel	tempered laminated glass panels (10 mm / 0.39")

AirGate e-Gates at Ljubljana Airport

Case Study

LJUBLJANA JOŽE PUČNIK AIRPORT

is an international airport serving the Slovenian capital. The airport operator decided to speed up and simplify passengers' security control using automated border control AirGate e-Gates from COMINFO. As a result, the airport reduces the workload for border officials, the immigration area security is greatly improved, and the authentication process is more pleasant for passengers.



THE MAXIMUM LEVEL OF AUTOMATION

COMINFO AirGate e-Gates completely automate the security check of passengers arriving outside the Schengen area. The whole security check takes only a few seconds and significantly speeds up the passage through the airport border control while reducing the workload for border officials.

Passengers present their travel documents on a smart ID reader and, upon successful identification, enter the mantrap, verifying their identity with a fingerprint and a facial scan. If everything is in order, the AirGate e-Gate will let the passenger through.

COMFORT FOR PASSENGERS

The AirGate e-Gate also makes life easier for passengers. Since the turnstile product design is space-efficient and lightweight, passengers feel safe and welcome and do not experience unsettling feelings when passing through.

We have thought of every detail when designing the turnstiles. For example, the travel document reader is positioned at a height and angle to make identification as comfortable as possible. The turnstile also communicates with the passenger, using intelligent visual guidance and acoustics. In addition, instructions on the AirGate e-Gate displays keep the passenger constantly informed about what to do at any given moment.

SMOOTH COOPERATION WITH OTHER COMPANIES

Several companies worked together on the project, yet everything went smoothly. The company Mi Line was in the position of the project contractor and chose our official distributor in Slovenia, ID Shop, to install COMINFO AirGate e-Gates. The biometric identification hardware and system for passenger processing, fully compatible with our AirGate e-Gate solution, were deployed by Embross.

Installing turnstiles at airports is also often specific due to security standards and the need to restrict traffic as little as possible. However, thanks to our experience with similar projects, we fully complied with all the security measures, and AirGate e-Gates were delivered assembled to make the installation as fast as possible.



COMINFO, a.s.
Nabrezi 695, 760 01 Zlín-Prstne, Czech Republic
T +420 603 151 333, cominfo@cominfo.cz
www.cominfo.eu

cominfo
By **GUNNEBO** Entrance Control